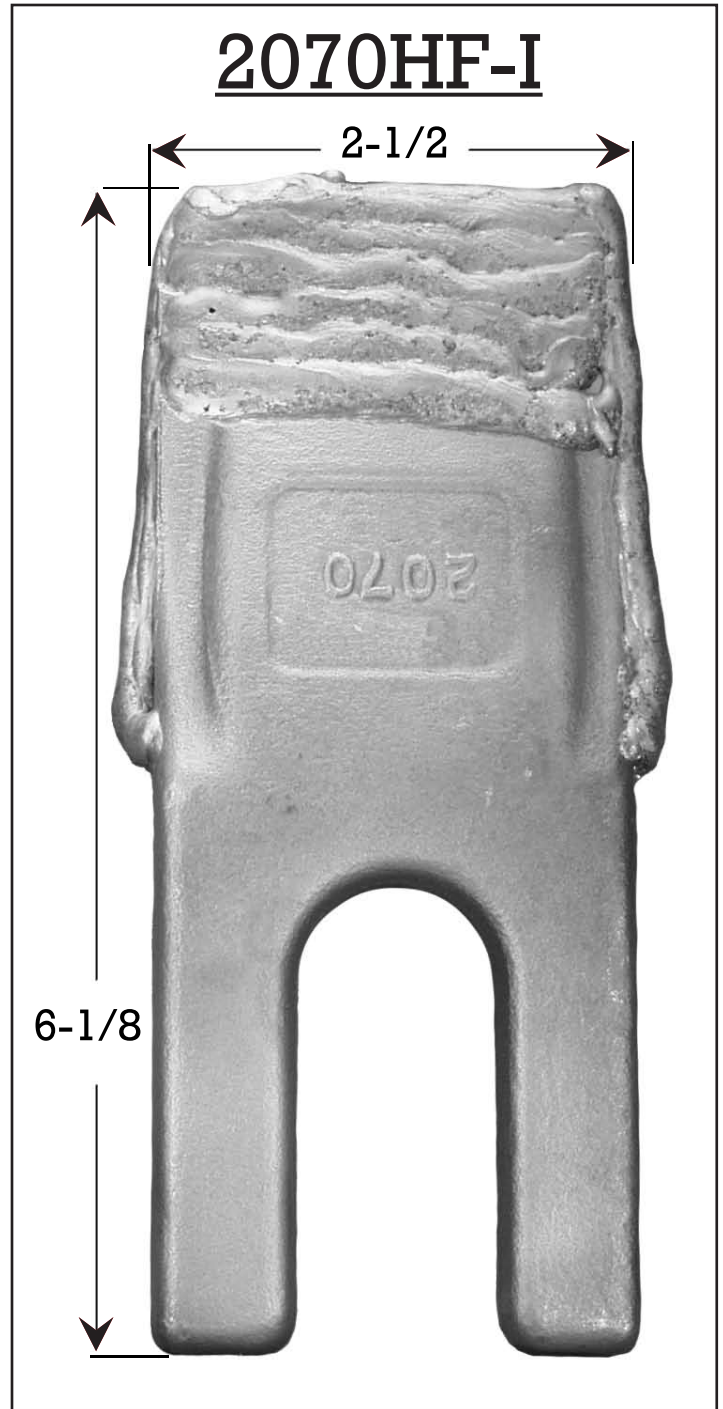
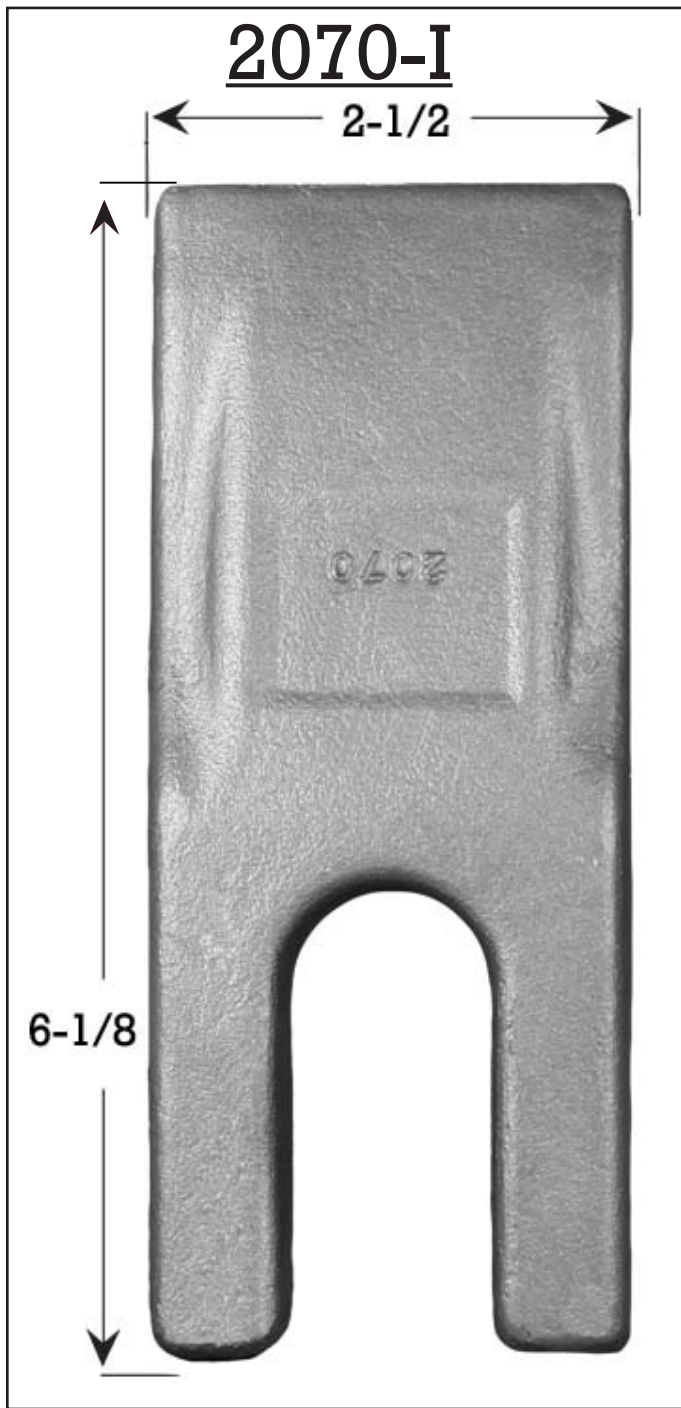
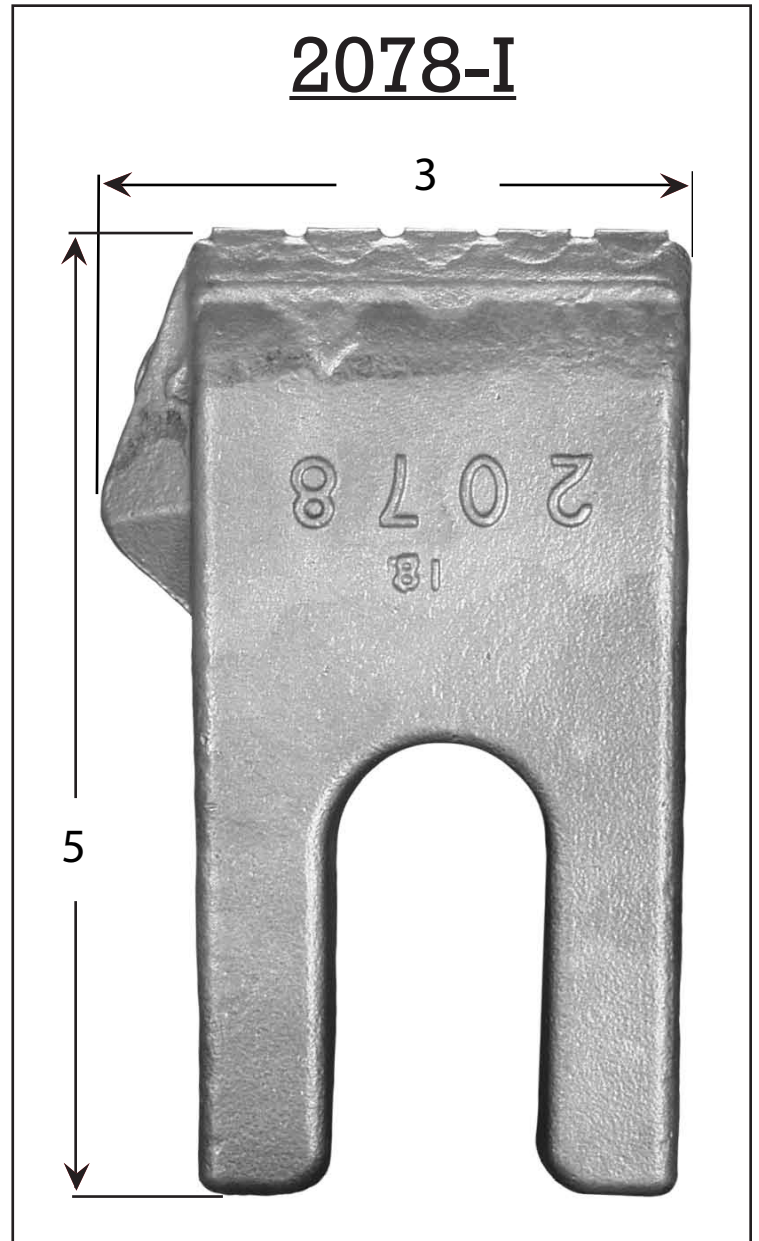


# 2070 Series Teeth



| Description     | Part No. | Application      | Installation in P-2070 | Unit lbs. |
|-----------------|----------|------------------|------------------------|-----------|
| Dirt Tooth      | 2070-I   | Ordinary Digging | Yes                    | 2.0       |
| Hardfaced Tooth | 2070HF-I | Abrasive Soil    | Yes, HF-up             | 2.5       |

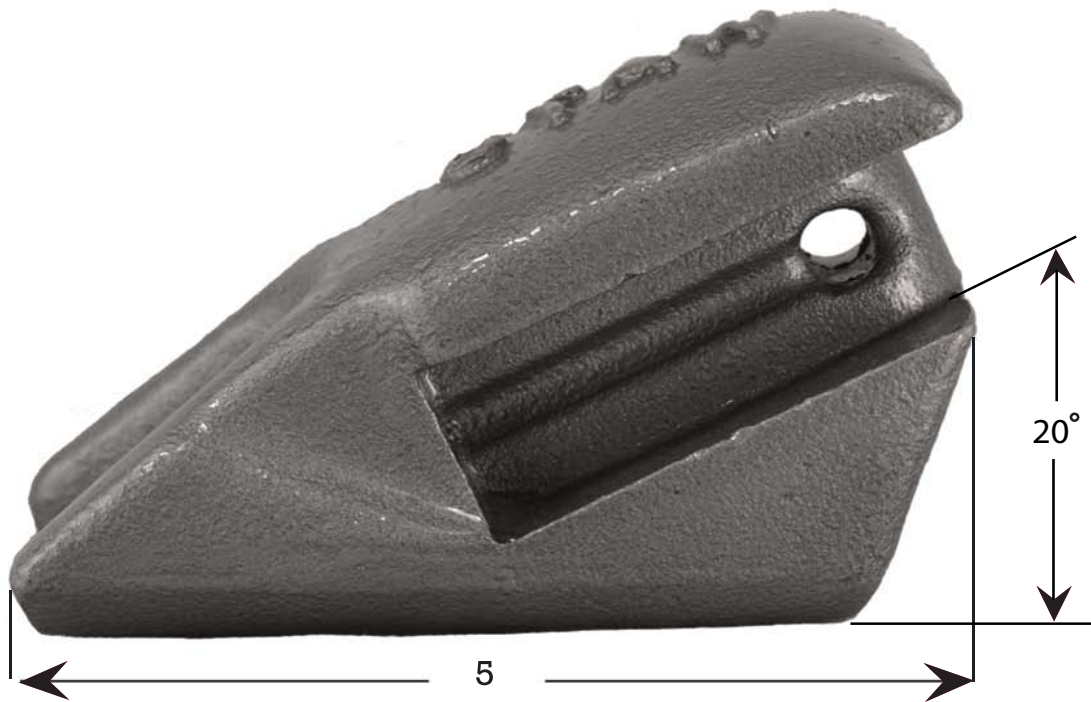
# 2070 Series Teeth



| Description  | Part No. | Application   | Installation in P-2070 | Unit lbs. |
|--------------|----------|---------------|------------------------|-----------|
| Carbide      | 2077-I   | High Abrasion | Yes                    | 2.3       |
| Carbide Gage | 2078-I   | High Abrasion | Yes, Outside           | 2.4       |

# 2070 Series Tooth Holders

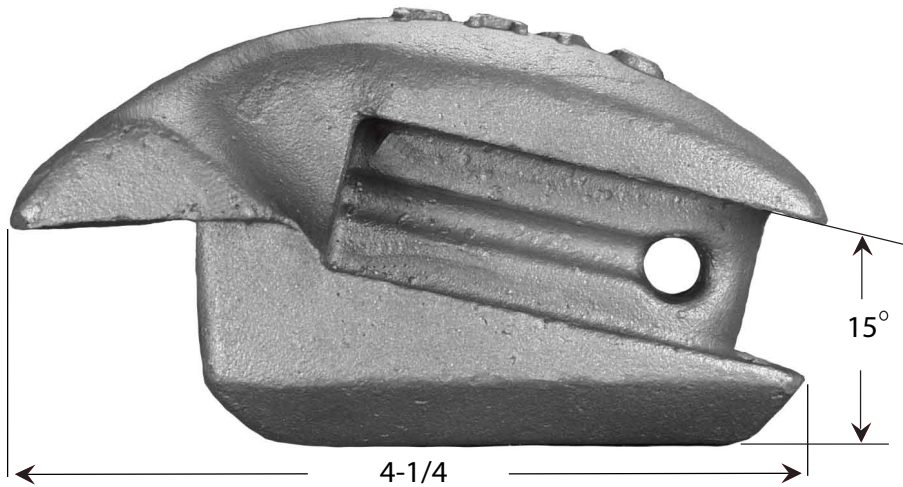
## WA70-I



| Part No. | Tooth Fitment | Tooth Angle | Unit lbs. |
|----------|---------------|-------------|-----------|
| WA70-I   | 2070 Series   | 20°         | 3.52      |

# 2070 Series Tooth Holders

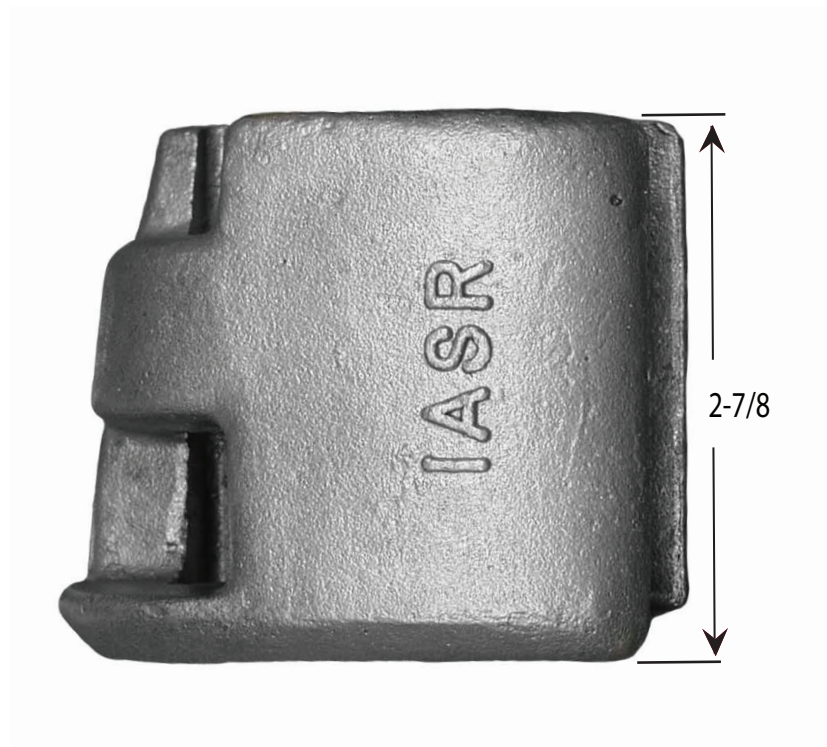
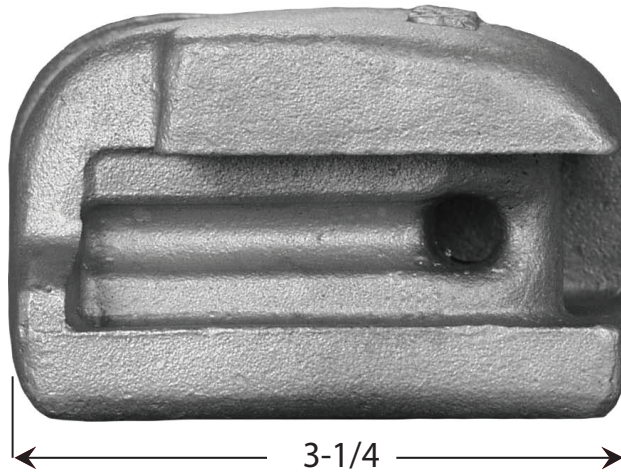
## FA70-I



| Part No. | Tooth Fitment | Tooth Angle | Unit lbs. |
|----------|---------------|-------------|-----------|
| FA70-I   | 2070 Series   | 15°         | 4.6       |

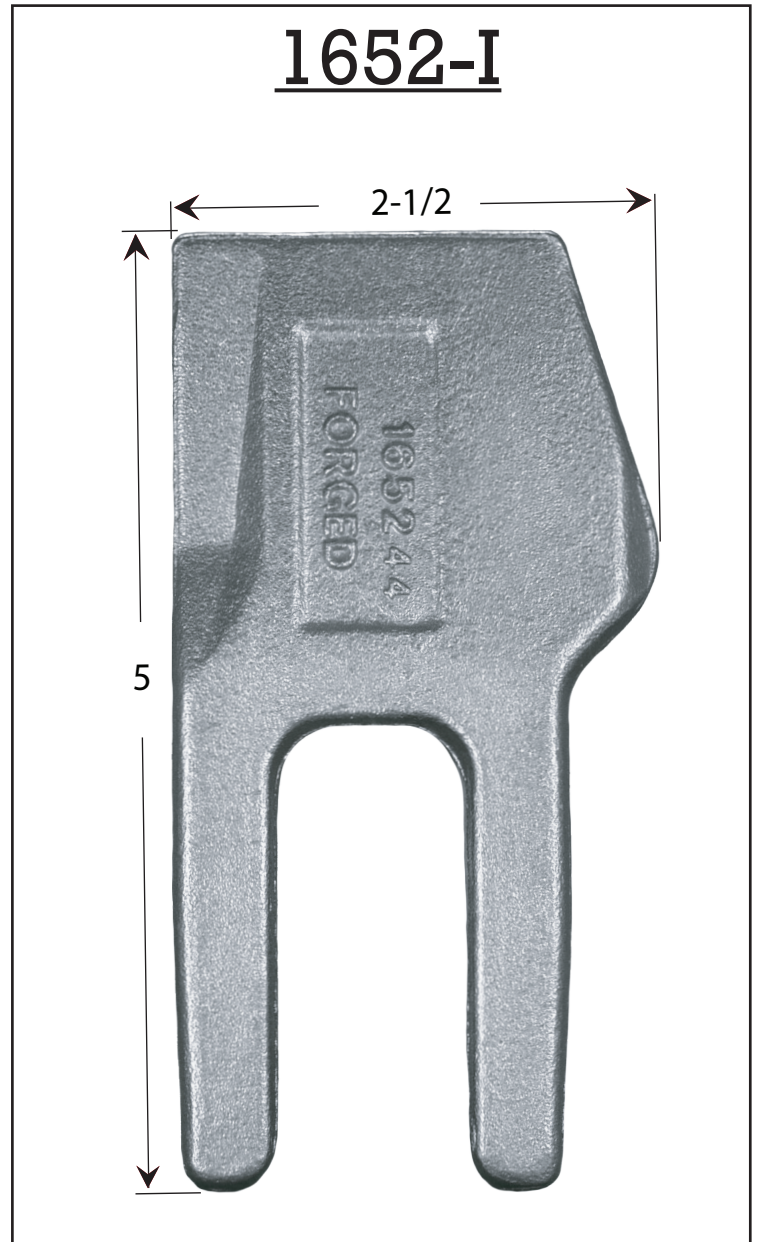
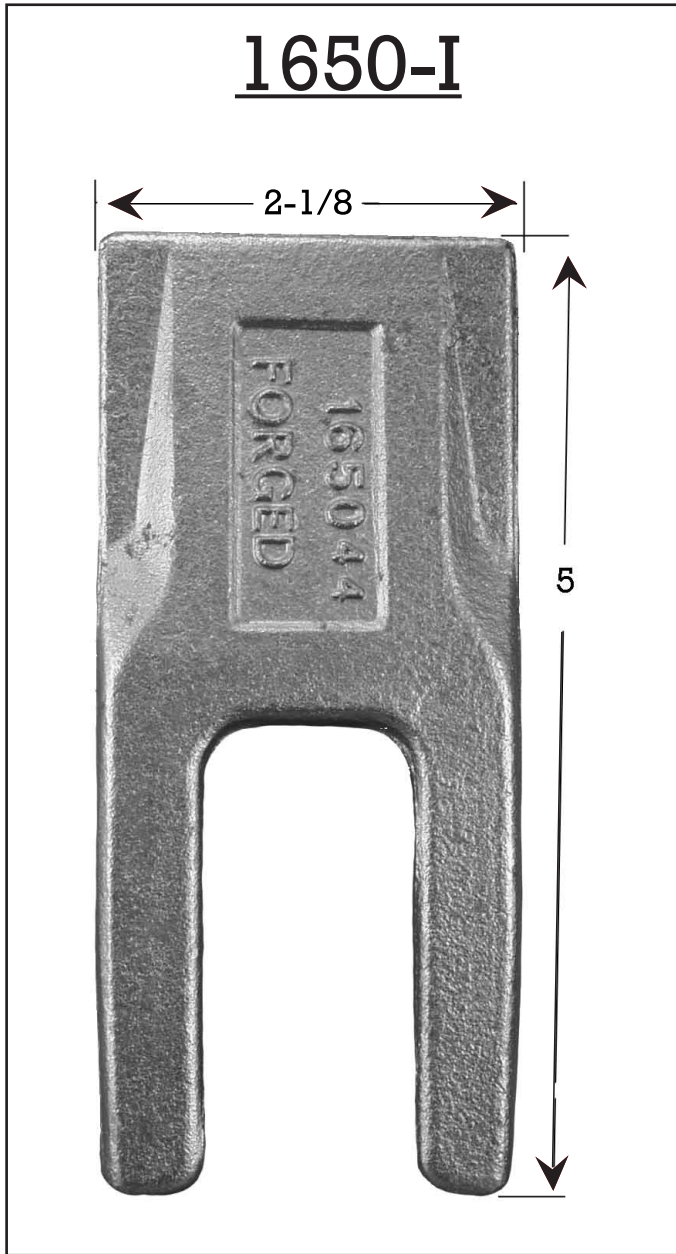
# 2070 Series Tooth Holders

## 1ASR-I



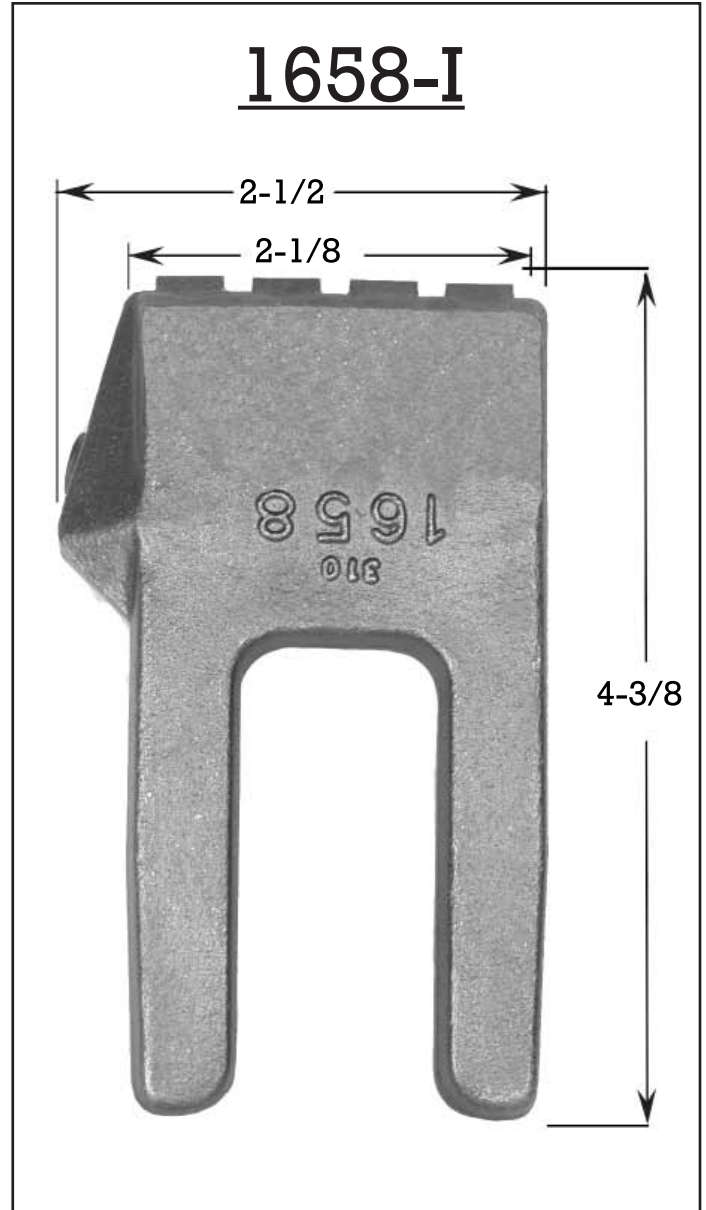
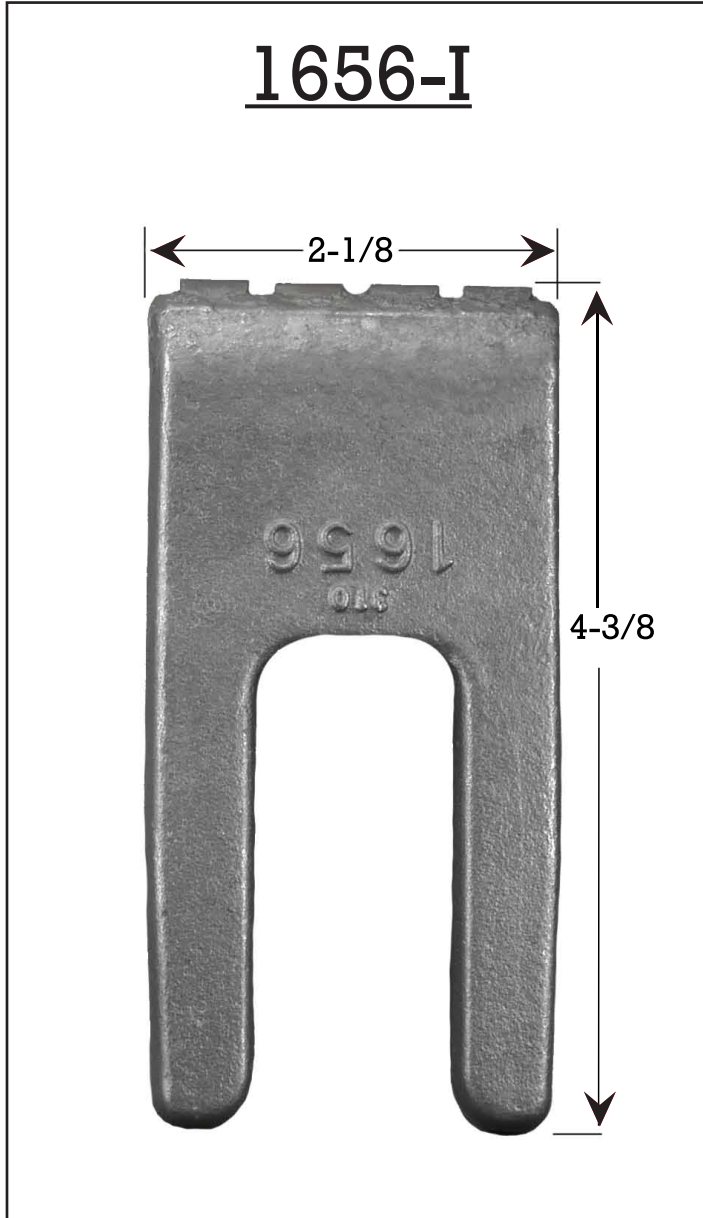
| Part No. | Tooth Fitment | Tooth Angle | Unit lbs. |
|----------|---------------|-------------|-----------|
| 1ASR-I   | 2070 Series   | 0°          | 3.32      |

# 1650 Series Teeth



| Description          | Part No. | Application           | Installation in head | Installation in P-1650 | Unit lbs. |
|----------------------|----------|-----------------------|----------------------|------------------------|-----------|
| Dirt Tooth           | 1650-I   | Ordinary Digging      | All Pockets          | Yes                    | 1.0       |
| Hardfaced Tooth      | 1650HF-I | Abrasive Soil, Impact | All Pockets HF-up    | Yes, HF-up             | 1.2       |
| Gage Tooth           | 1652-I   | Dirt                  | Outside Pockets Only | Two Outer Pockets Only | 1.2       |
| Hardfaced Gage Tooth | 1652HF-I | Abrasive Soil, Impact | Outside Pockets Only | Two Outer Pockets Only | 1.2       |

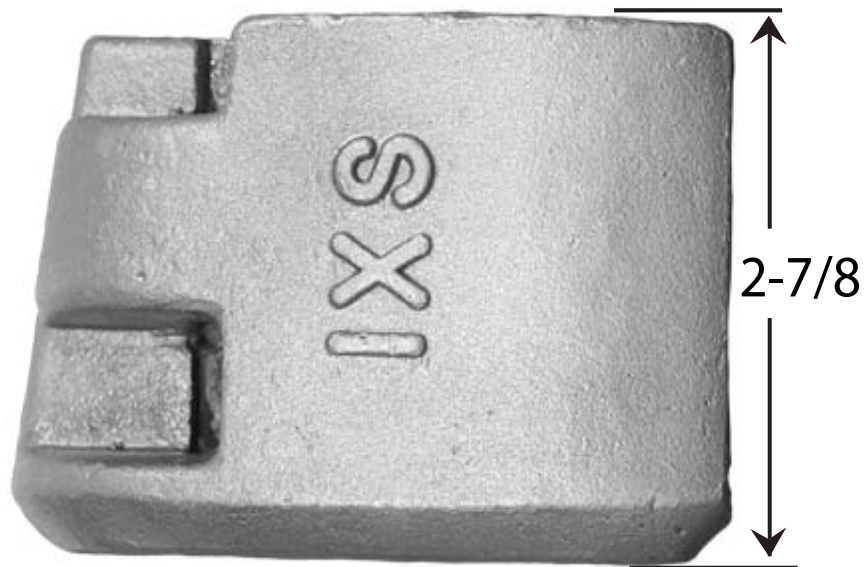
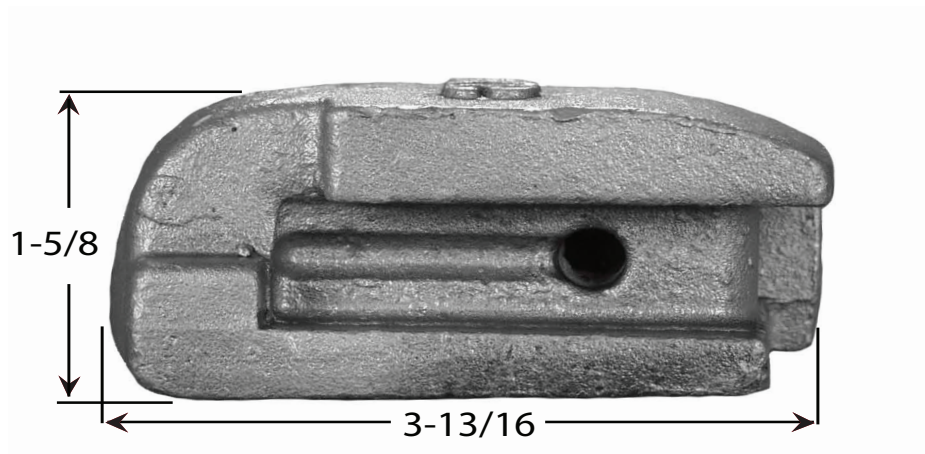
# 1650 Series Teeth



| Description      | Part No. | Application                              | Installation in head          | Installation in P-1650                  | Unit lbs. |
|------------------|----------|--|-------------------------------|---|-----------|
| Tungsten Carbide | 1656-I   | High Abrasion<br>Frozen Soil, Low Impact | All Pockets                   | Yes                                     | 1.3       |
| Carbide Gage     | 1658-I   | Highly Abrasive Soil<br>Frozen Ground    | Outside Pockets<br>Flange Out | Two Outer<br>Pockets Only<br>Flange Out | 1.3       |

# 1650 Series Tooth Holders

## 1XS-I

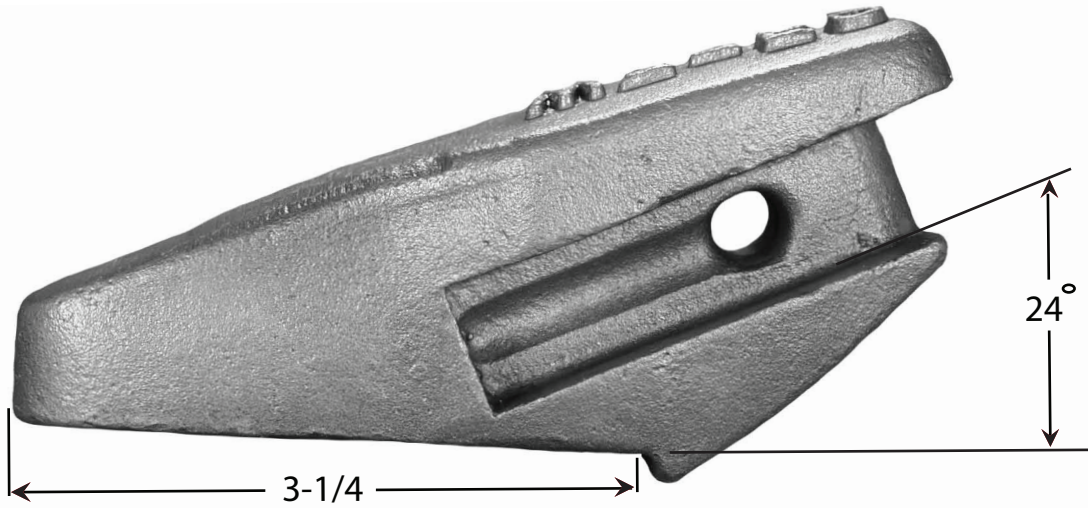


| Description | Part No. | Tooth Fitment | Unit lbs. |
|-------------|----------|---------------|-----------|
| Holder      | 1XS-I    | 1650 Series   | 2.7       |



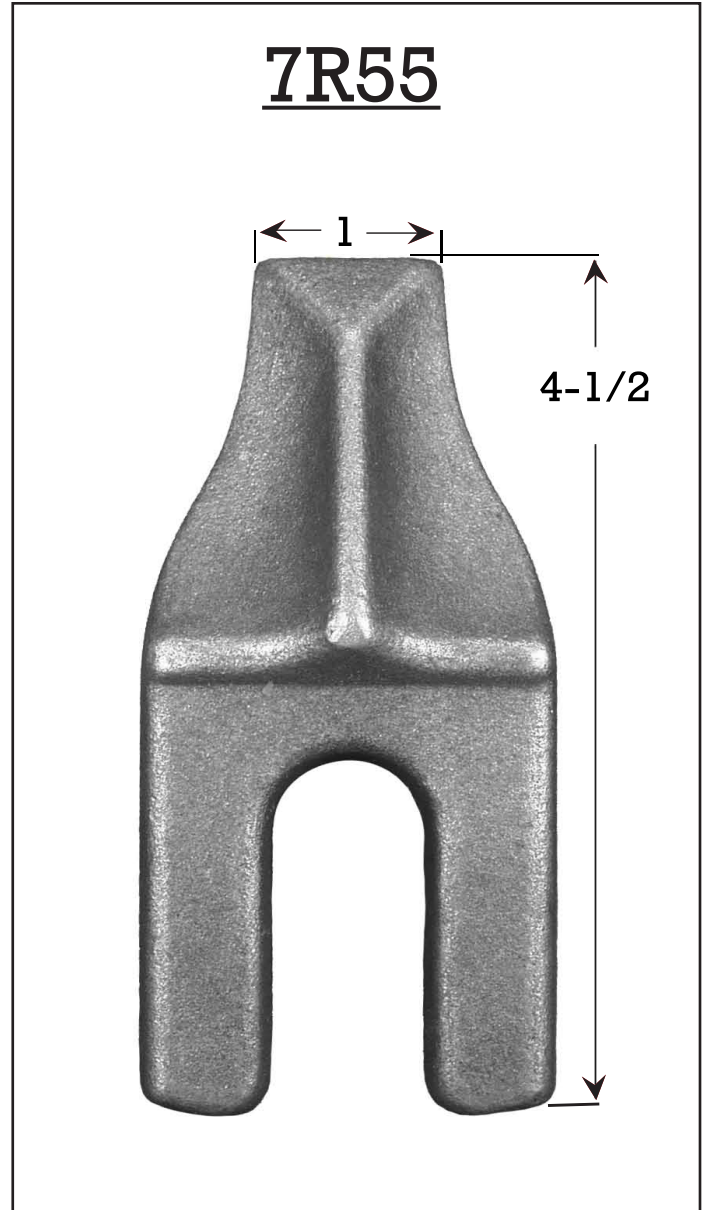
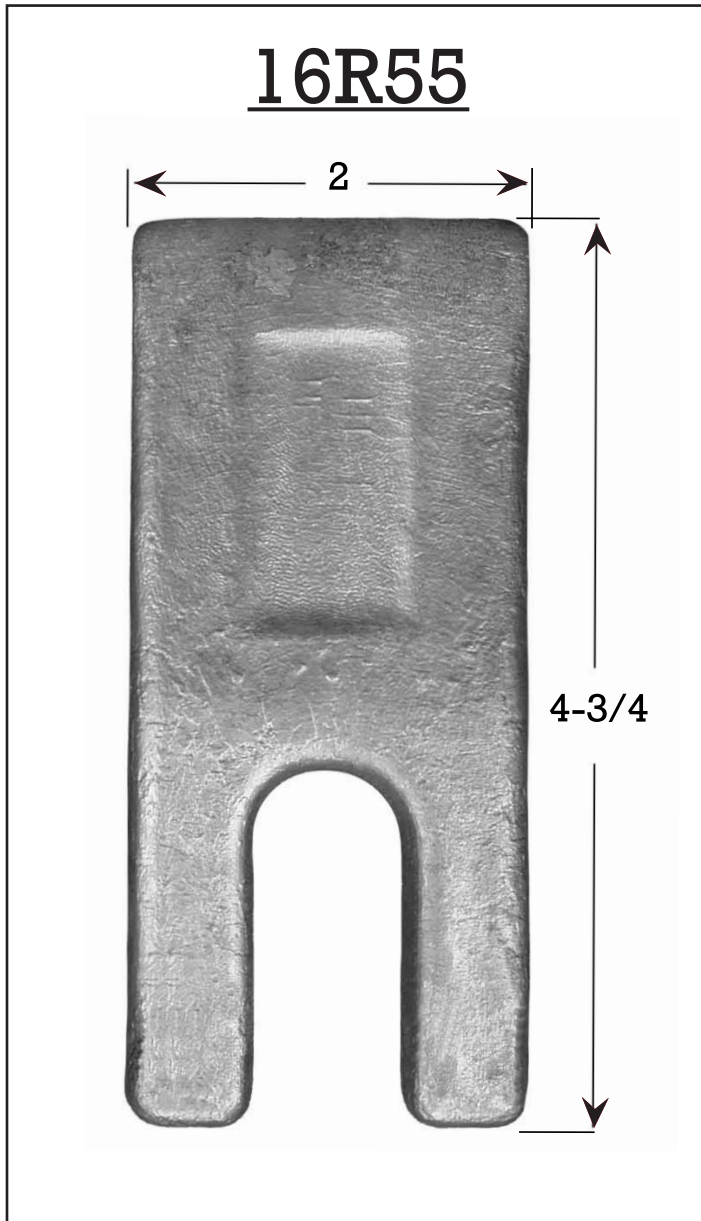
# 1650 Series Tooth Holders

## WT50-I



| Description | Part No. | Tooth Fitment | Unit lbs. |
|-------------|----------|---------------|-----------|
| Holder      | WT50     | 1650 Series   | 2.4       |

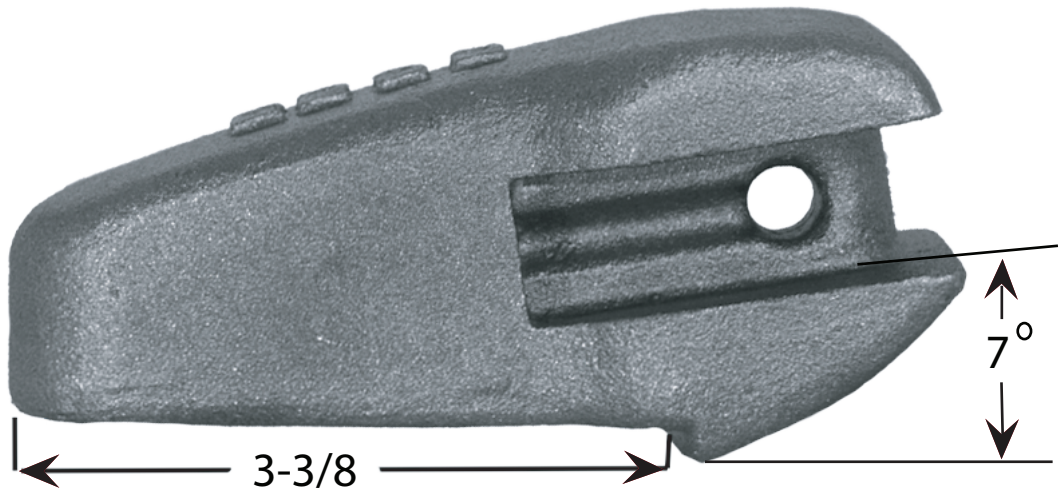
# 16R55 Series Teeth



| Description  | Part No. | Application      | Installation in P-16r55 | Unit lbs. |
|--------------|----------|------------------|-------------------------|-----------|
| Dirt         | 16R55    | Ordinary Digging | Yes                     | 1.0       |
| Chisel Point | 7R55     | Compacted Soil   | No                      | 1.0       |

# 16R55 Tooth Holders

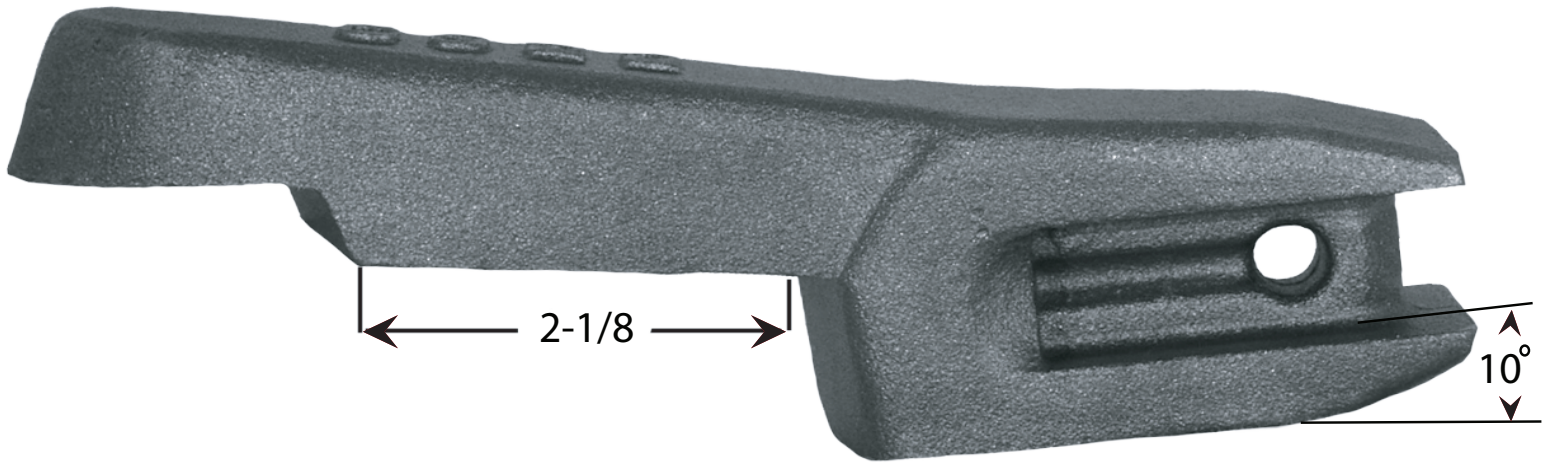
## E555-I



| Description | Part No. | Tooth Fitment | Unit lbs. |
|-------------|----------|---------------|-----------|
| Holder      | E555-I   | 16R55<br>7R55 | 2.6       |

# 16R55 Tooth Holders

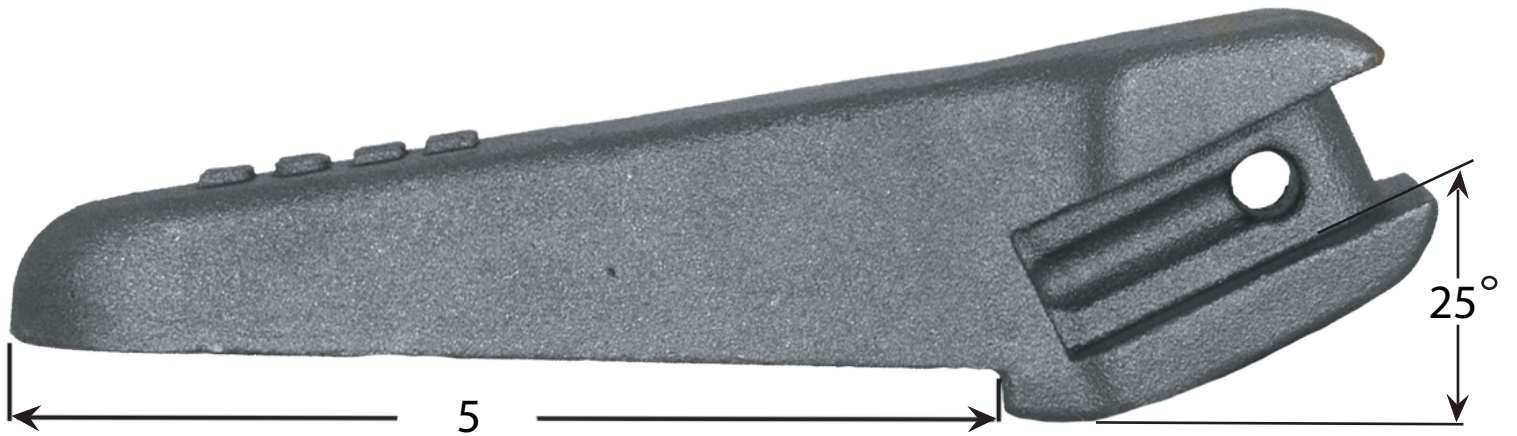
## C355-I



| Description | Part No. | Tooth Fitment | Unit lbs. |
|-------------|----------|---------------|-----------|
| Holder      | C355-I   | 16R55<br>7R55 | 2.9       |

# 16R55 Tooth Holders

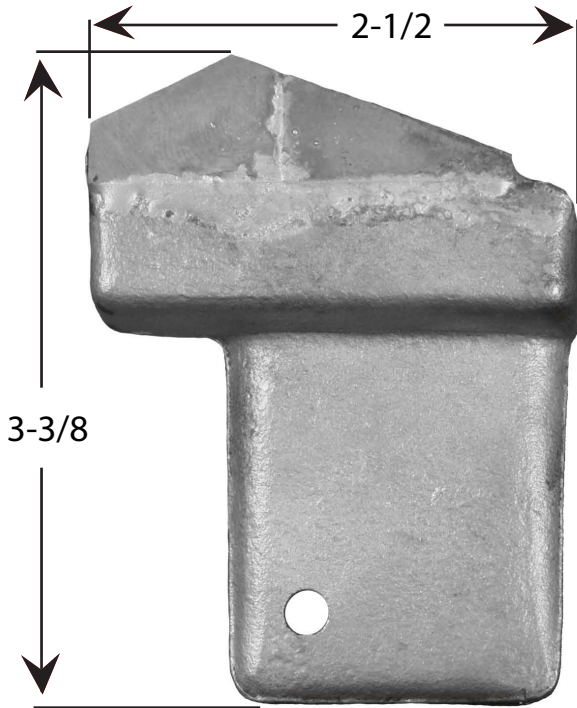
## B255-I



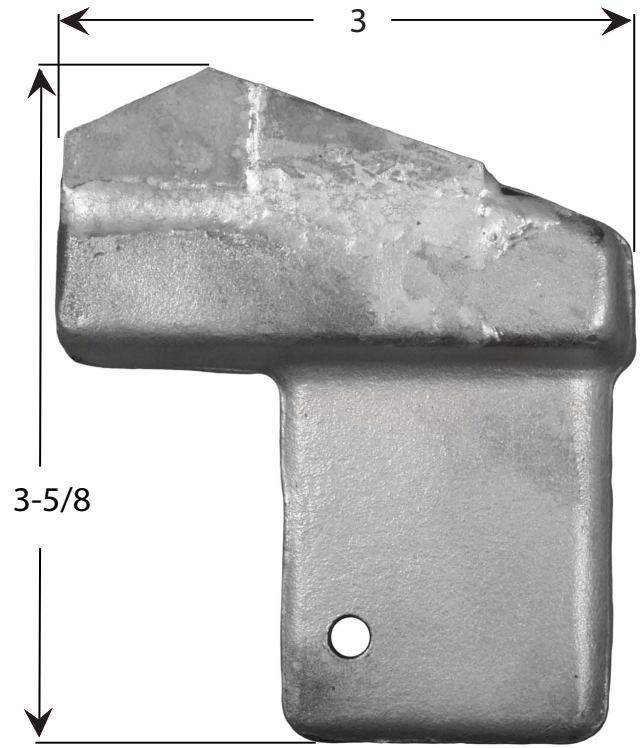
| Description | Part No. | Tooth Fitment | Unit lbs. |
|-------------|----------|---------------|-----------|
| Holder      | B255-I   | 16R55<br>7R55 | 3.2       |

# Rock Blades

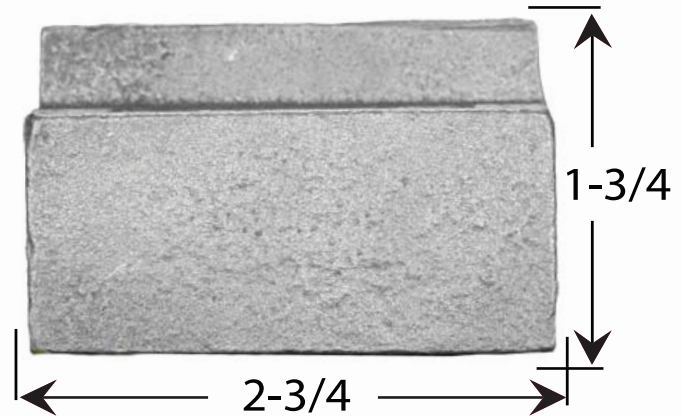
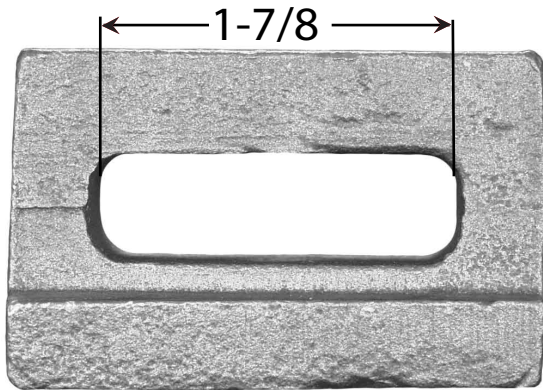
**R5000**



**R4000**



**5H-I**



| Description       | Part No. | Unit lbs. |
|-------------------|----------|-----------|
| Rock Blade        | R5000    | 1.0       |
| Rock Blade Wide   | R4000    | 1.3       |
| Rock Blade Holder | 5H-I     | 1.4       |